

Giga-Trim® Trimmers



DESCRIPTION

- Sapphire dielectric
- Ceramic dielectric
- Zirconia High K dielectric
- High Q
- 500 VDC working voltage
- Select part numbers available on tape and reel
- Utilizes the same constant torque drive mechanism as Knowles air capacitors and tuning elements

CHARACTERISTICS

- Rated voltage: 500 VDC
- Insulation resistance: $>10^6 \text{ M}\Omega$ @ 500 VDC
- Rotational life exceeds Mil-C-14409
- Contact resistance: $<.01 \Omega$
- Operating temperature: -65°C to $+125^\circ\text{C}$
- Vibration: 15g, 10-2000 Hz
- Shock: 100g, 6 milliseconds

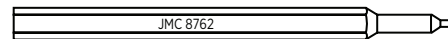
APPLICATIONS

- Impedance matching
- Crystal trimming
- Interstage coupling
- Base station amplifier

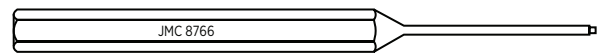
SEAL CAPS

Type	Part Number	Capacitor Type	Material
17273	P4446-2	"Poke-Thru" Seal Cap	Teflon®
27260 Thru 27265	P4445-1	Standard Seal Cap	Teflon®
27270 Thru 27295	P4445	Standard Seal Cap	Teflon®
27260 Thru 27265	P4446-1	"Poke-Thru" Seal Cap	Teflon®
27270 Thru 27295	P4446	"Poke-Thru" Seal Cap	Teflon®
47273 Thru 47285	P4446-2	"Poke-Thru" Seal Cap	Teflon®
57263	P4446-1	"Poke-Thru" Seal Cap	Teflon®

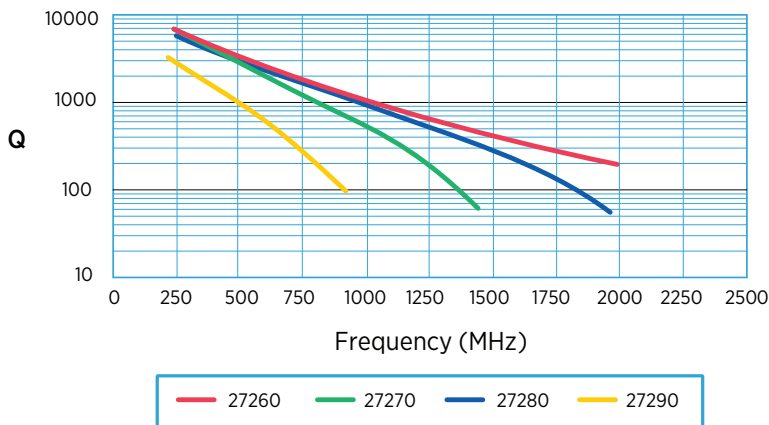
JMC Drive Tuning Tool 8762



JMC Drive Tuning Tool 8766



Note: The use of a Johanson tuning tool is recommended. Improper screwdriver size will cause internal thread damage.

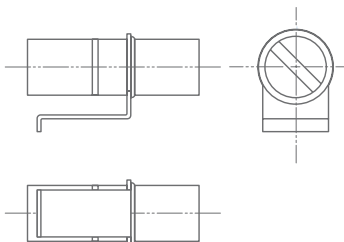


Set at Max. capacitance

Giga-Trim[®] Trimmers Selection Guide

Part Number	Capacitance Range (pF)	Number of Turns	Working Voltage (VDC)	Dielectric	Tuning Torque (oz in)	Q @ 250 MHz	Page Number
17273	0.6 to 4.5	>8	500	Sapphire	0.2 to 2	>2000	39
27261	0.3 to 1.2	>5	500	Sapphire	0.1 to 1	>5000	40
27261SL							39
27263							
27264							
27265							
27271	0.6 to 4.5	>8	500	Sapphire	0.2 to 2	>3000	40
27271SL							39
27273							
27274							
27275							
27281	0.4 to 2.5	>4	500	Sapphire	0.2 to 2	>4000	40
27281S L							39
27283							
27284							
27285							
27291	0.8 to 8.0	>16	500	Sapphire	0.2 to 2	>*3000	40
27291SL							39
27293							
27294							
27295							
47273	0.6 to 4.5	>8	500	Alumina	0.2 to 2	>3000	39
47473	2.0 to 6.0	>6				>1500	
47483	0.3 to 2.3	>4				>2000	
47285-3	0.4 to 2.5	>4				>**3000	40
57273	0.8 to 8.0	>8	500	Zirconia	0.2 to 2	>*2000	40
57285-3	0.8 to 4.5	>4				>**1000	40

*Q @ 100 MHz **@ 200 MHz



Part Number	Units/Reel	Carrier Tape
27273-3R5	400	24mm
27283-3R10	750	16mm
47275-1R11	500	32mm
47273-11R5	400	24mm
47273R5	400	24mm
47483R10	750	16mm
57273R5	400	24mm

Giga-Trim® Trimmers

FIGURE 1

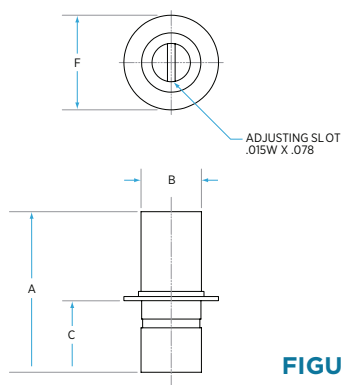


FIGURE 2

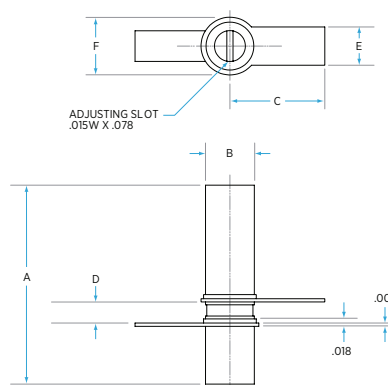
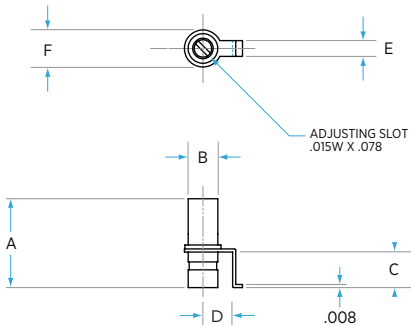


FIGURE 3



Cap Range	Part Number	A	B	C	D	E	F	Figure
0.3 to 1.2	27263	0.225	0.075	0.09	0.075	0.040	0.094	3
0.3 to 2.3	47483	0.230	0.118	0.09	0.110	0.040	0.15	3
0.4 to 2.5	27273	0.314	0.118	0.09	0.110	0.040	0.14	3
0.6 to 4.5	17273	0.330	0.118	0.16	0.110	0.040	0.15	3
	47273	0.330	0.118	0.16	0.110	0.040	0.15	3
0.9 to 4.5	27283	0.314	0.118	0.16	0.110	0.040	0.14	3
	57283	0.230	0.118	0.09	0.110	0.093	0.15	3
0.8 to 8.0	27273	0.330	0.118	0.16	0.110	0.093	0.15	3
0.8 to 8.0	27293	0.480	0.118	0.25	0.110	0.040	0.14	3
2.0 to 6.0	47473	0.330	0.118	0.16	0.110	0.040	0.15	3
0.3 to 1.2	27264	0.225	0.75	0.23	0.056	0.040	0.094	2
0.4 to 2.5	27274	0.225	0.118	0.23	0.056	0.093	0.14	2
0.6 to 4.5	27284	0.314	0.118	0.23	0.060	0.093	0.14	2
0.8 to 8.0	27294	0.480	0.118	0.23	0.051	0.093	0.14	2
0.3 to 1.2	27265	0.225	0.75	0.078	-	-	0.142	1
0.4 to 2.5	27275	0.225	0.118	0.09	-	-	0.185	1
0.6 to 4.5	27285	0.314	0.118	0.16	-	-	0.185	1
0.8 to 8.0	27295	0.480	0.118	0.25	-	-	0.185	1

Giga-Trim[®] Trimmers

FIGURE 1

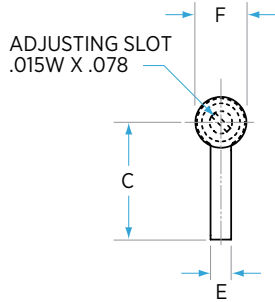
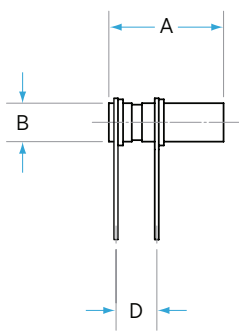


FIGURE 2

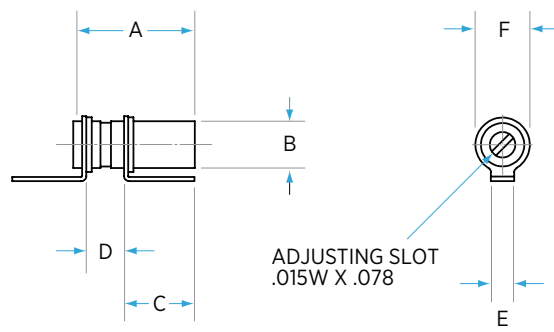
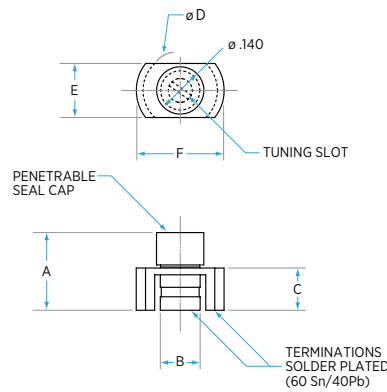


FIGURE 3



Cap Range	Part Number	A	B	C	D	E	F	Figure
0.3 to 1.2	27261	0.225	0.075	0.23	0.08	0.04	0.094	1
0.4 to 2.5	27281	0.225	0.118	0.23	0.08	0.04	0.14	1
0.6 to 4.5	27271	0.314	0.118	0.23	0.13	0.04	0.14	1
0.8 to 8.0	27291	0.480	0.118	0.23	0.25	0.04	0.14	1
0.3 to 1.2	27261SL	0.225	0.075	0.18	0.07	0.04	0.094	2
0.4 to 2.5	27281SL	0.225	0.118	0.16	0.07	0.04	0.14	2
0.6 to 4.5	27271SL	0.314	0.118	0.16	0.12	0.04	0.14	2
0.8 to 8.0	27292SL	0.480	0.118	0.16	0.24	0.04	0.14	2
0.4 to 2.5	47285-3	0.230	0.118	0.125	0.220	0.160	0.260	3
0.8 to 4.5	57285-3	0.230	0.118	0.125	0.220	0.160	0.260	3

