

# 11 Series .110" X .110"

## Non-magnetic High Q Multi-layer Porcelain Chip Capacitors

### GENERAL SPECIFICATIONS

Case Size	.110" L x .110" W x .100" H
Capacitance Range	0.1pF to 1,000pF
DC Working Voltage	1000 0.1 to 100pF 600 110 to 200pF 200 220 to 470pF 100 510 to 620pF 50 680 to 1,000pF
DC Withstanding Voltage	2.5 x Working Voltage
Quality Factor	See chart below
Operating Temperature	-55°C to +175°C
Insulation Resistance @ 25°C	0.1 to 470pF 10 <sup>6</sup> megohms 510 to 1,000pF 10 <sup>5</sup> megohms



Series	Cap. Codes		Tol. Codes	DC Working Voltage	Termination Codes	Material Codes		Lead Codes	
	Cap. Codes	Cap. Codes				Material Codes	Material Codes	Lead Codes	Lead Codes
11	0R1	0.1pF	A ± .05pF	50	M	New Flexible Polymer/Ag layer, 400-500µ-in Cu barrier, 200µ-in Sn plate. (RoHS)	H AH + 90±20ppm/°C	Blank	= no leads
25	100	10pF	B ± .1pF	100	R	New Ag layer, 400-500µ-in Cu barrier, 10,000-12,000µ-in 90/10 Sn/Pb plate.	F CF 0±15ppm/°C	R	= Ribbon leads
38	101	100pF	C ± .25pF	200			S	Original Pd/Ag plate.	L UL 0±30ppm/°C
	102	1000pF	D ± .5pF	300	V	New Ag layer, 400-500µ-in Cu barrier, 100-150µ-in 90/10 Sn/Pb plate.			
			F ± 1%	500			W	New Ag layer, 400-500µ-in Cu barrier, 200µ-in 90/10 Sn/Pb plate. (RoHS)	
			G ± 2%	600					
			J ± 5%	1000					
			K ± 10%	1500					
				2500					
				3600					
				7200					

### PART NUMBER

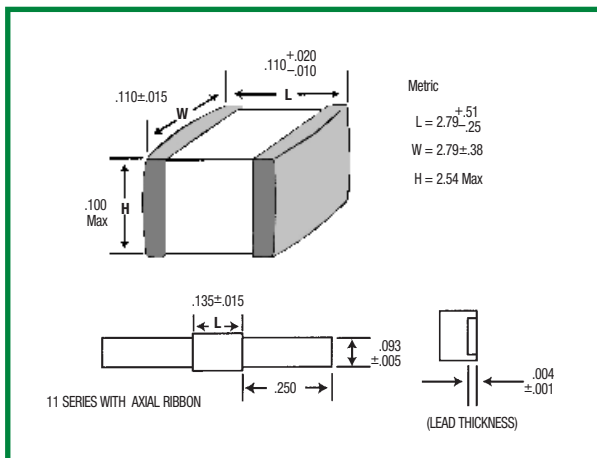
**11** - **7R5** - **B** - **1000** - **M** - **H** - **R**  
 Series    Capacitance Code    Tolerance    DC Working Voltage    Termination    Material    Lead

# Voltronics Corporation 11 Series Capacitance Values

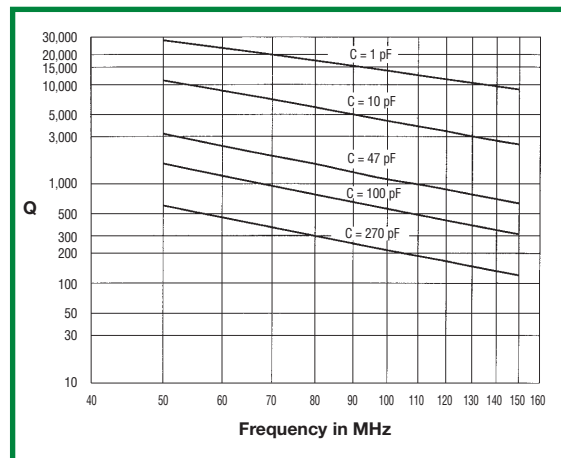
Capacitance (pF)	Capacitance Code	Tolerance	Working Voltage
0.1	0R1	A,B	1000
0.2	0R2		
0.25	0R25		
0.3	0R3	A,B,C	
0.4	0R4		
0.45	0R45		
0.5	0R5	A,B,C,D	
0.6	0R6		
0.7	0R7		
0.8	0R8		
0.9	0R9		
1	1R0		
1.1	1R1		
1.2	1R2		
1.3	1R3		
1.4	1R4		
1.5	1R5		
1.6	1R6		
1.7	1R7		
1.8	1R8		
1.9	1R9		
2	2R0	B,C,D	
2.1	2R1		
2.2	2R2		
2.4	2R4		
2.7	2R7		
3	3R0		
3.3	3R3		
3.6	3R6		
3.9	3R9		
4.3	4R3		
4.7	4R7		
5.1	5R1		
5.6	5R6		
6.2	6R2		
6.8	6R8		
7.5	7R5		
8.2	8R2		
9.1	9R1		

Capacitance (pF)	Capacitance Code	Tolerance	Working Voltage
10	100	F,G,J,K	1000
11	110		
12	120		
13	130		
15	150		
16	160		
18	180		
20	200		
22	220		
24	240		
27	270		
30	300		
33	330		
36	360		
39	390		
43	430		
47	470		
51	510		
56	560		
62	620		
68	680		
75	750		
82	820		
91	910		
100	101		600
110	111		
120	121		
150	151		
180	181		
200	201		
220	221		
270	271		
330	331	200	
390	391		
470	471		
510	511		
620	621		
680	681	100	
820	821		
1000	102		50

## OUTLINE DRAWING



## QUALITY FACTOR (Q)



NOTE: For a detailed Q chart go to [www.voltronicscorp.com](http://www.voltronicscorp.com)