

Component General, Inc.

Coaxial N Male Terminations

MECHANICAL SPECIFICATIONS



Connector: Brass, Nickel Plated.

Insulator: PTFE, Virgin grade.

Impedance: 50 Ω .

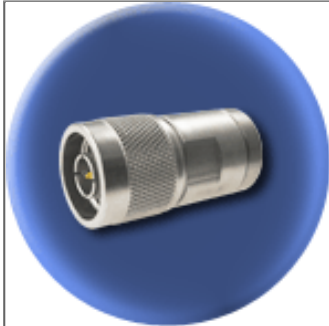
high power coaxial N Male Terminations product selection chart

| P/N | Power Avg. | Power Peak | Length | Width |
|--------------|------------|------------|--------|--------|
| CFT-2 NM | 2 W | 1.5 KW. | 1.600" | 0.800" |
| CFT-5 NM | 5 W | 2 KW. | 1.700" | 0.800" |
| CFT-10 NM | 10 W | 2 KW. | 2.500" | 0.065" |
| CFT-15 NM | 15 W | 2 KW. | 2.550" | 1.250" |
| CFT-35 NM | 35 W | 3 KW. | 2.200" | 1.650" |
| CFT-100 NM | 100 W | N/A | 6.250" | 6.000" |
| CHT-150 NM | 150 W | N/A | 2.361" | 2.000" |
| CHT-200 NM | 200 W | N/A | 3.750" | 1.000" |
| CHT-200-1 NM | 200 W | N/A | 2.375" | 1.000" |
| CHT-200-3 NM | 200 W | N/A | 3.750" | 1.000" |
| CHT-250 NM | 150 W | N/A | 2.361" | 2.000" |
| CHT-250-1 NM | 250 W | N/A | 2.100" | 1.500" |
| CHT-300 NM | 300 W | N/A | 3.400" | 1.625" |

Component General, Inc.

P/N:CFT-2 NM

Coaxial N Series



Electrical Specifications

Average Power:

2 W.

Frequency Range: **VSWR (Max.):**

DC - 6.0 GHz

1.15:1

6.0 - 12.4 GHz

1.20:1

Peak Power:

1.5 KW.

Impedance:

50 Ω

Mechanical Specifications

Connector:

Brass, Nickel plated.

Contact:

Brass, Gold plated.

Housing:

Brass, Nickel plated.

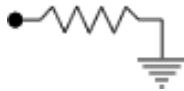
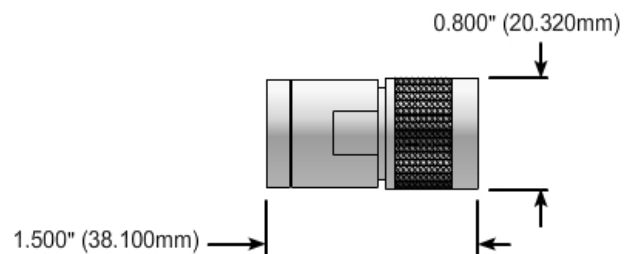
Insulator:

PTFE, Virgin grade.

Weight:

63.0 Grams.

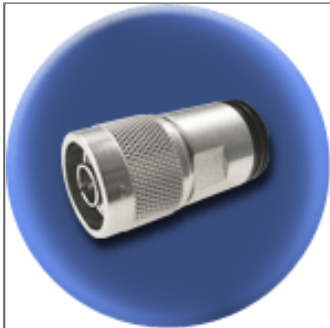
Part Dimensions



Component General, Inc.

P/N:CFT - 5 NM

Coaxial Terminations



Electrical Specifications

Average Power:

5 W.

Frequency Range:

DC - 6.0 GHz

6.0 - 12.4 GHz

VSWR (Max.):

1.20:1

1.30:1

Peak Power:

2.0 K W.

Impedance:

50 Ω

Mechanical Specifications

Connector:

Brass, Nickel plated.

Contact:

Brass, Gold plated .

Housing:

Aluminum, Black Anodized.

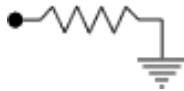
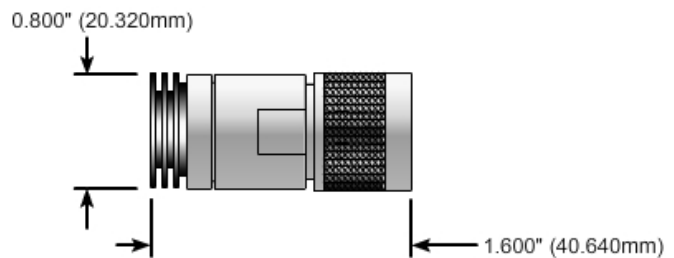
Insulator:

PTFE, Virgin grade.

Weight:

46.0 Grams.

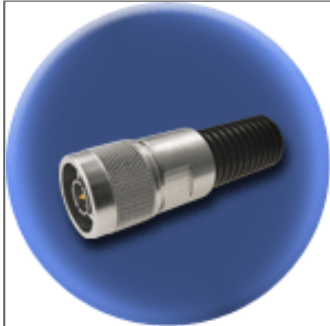
Part Dimensions



Component General, Inc.

P/N:CFT - 10 NM

Coaxial Terminations



Electrical Specifications

Average Power:

10 W.

Frequency Range:

DC - 6.0 GHz
6.0 - 12.4 GHz

VSWR (Max.):

1.20:1
1.30:1

Peak Power:

2.0 K W.

Impedance:

50 Ω

Mechanical Specifications

Connector:

Brass, Nickel plated.

Contact:

Brass, Silver plated .

Housing:

Aluminum, Black Anodized.

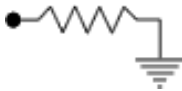
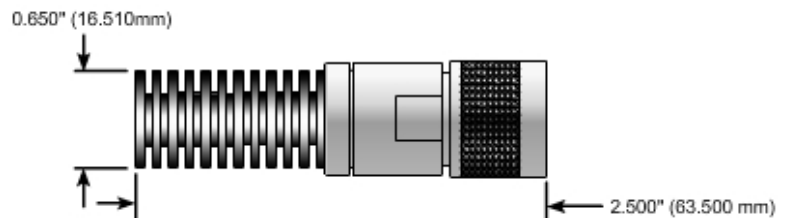
Insulator:

PTFE, Virgin grade.

Weight:

72.0 Grams.

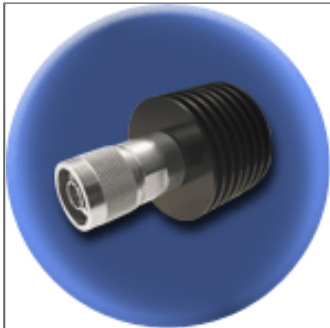
Part Dimensions



Component General, Inc.

P/N:CFT - 15 NM

Coaxial Terminations



Electrical Specifications

Average Power:

15 W.

Frequency Range: **VSWR (Max.):**

DC - 6.0 GHz

1.20:1

6.0 - 12.4 GHz

1.30:1

Peak Power:

2.0 K W.

Impedance:

50 Ω

Mechanical Specifications

Connector:

Brass, Nickel plated.

Contact:

Brass, Silver plated .

Housing:

Aluminum, Black Anodized.

Insulator:

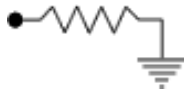
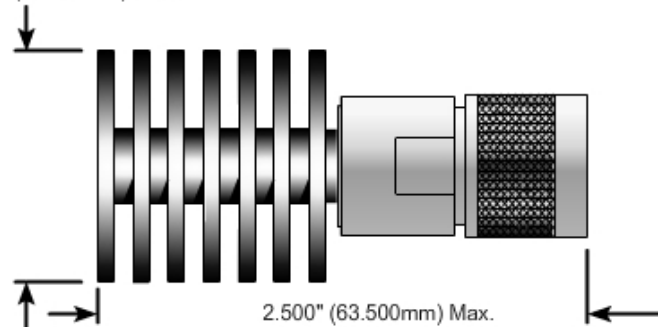
PTFE, Virgin grade.

Weight:

85.0 Grams.

Part Dimensions

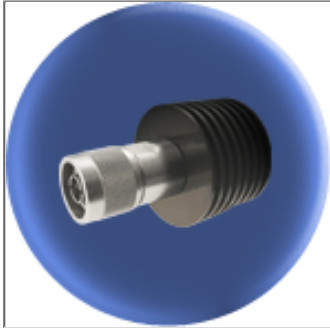
1.250" (31.750mm) Max.



Component General, Inc.

P/N:CFT - 35 NM

Coaxial Terminations



Electrical Specifications

Average Power:

35 W.

Frequency Range:

DC - 2.0 GHz

2.0 - 4.0 GHz

VSWR (Max.):

1.15:1

1.20:1

Peak Power:

2.0 K W.

Impedance:

50 Ω

Mechanical Specifications

Connector:

Brass, Nickel plated.

Contact:

Brass, Silver plated .

Housing:

Aluminum, Black Anodized.

Insulator:

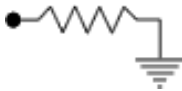
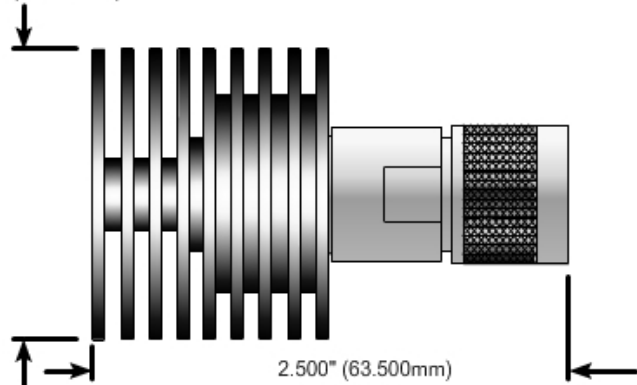
PTFE, Virgin grade.

Weight:

110.0 Grams.

Part Dimensions

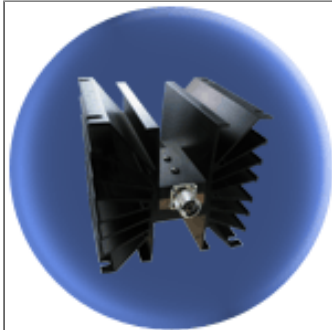
1.650" (41.910mm)



Component General, Inc.

P/N:CFT - 100 NM

Coaxial Terminations



Electrical Specifications

Power:

100 W.

Frequency Range:

DC - 1.0 GHz

1.0 - 2.0 GHz

VSWR (Max.):

1.08:1

1.15:1

Impedance:

50 Ω

Mechanical Specifications

Connector:

Brass, Nickel plated.

Contact:

Brass, Silver plated .

Heat Sink:

Aluminum, Black Anodized.

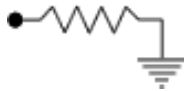
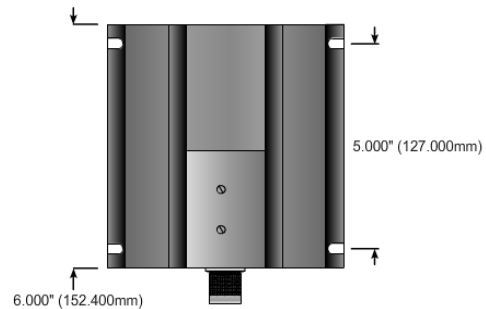
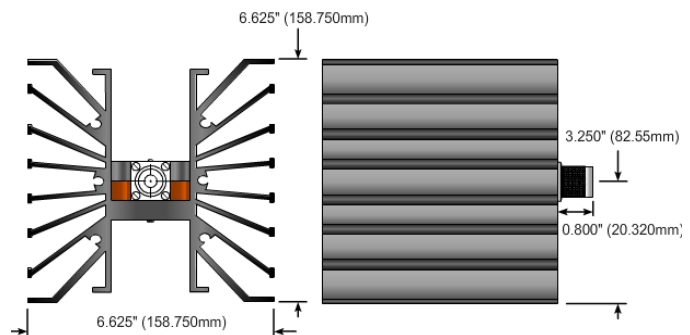
Housing:

Aluminum, Black Anodized.

Insulator:

PTFE, Virgin grade.

Part Dimensions



Component General, Inc.

P/N: CHT - 150 NM

Coaxial Terminations



Electrical Specifications

Power:

150 W.

Frequency Range:

DC - 1.0 GHz

1.0 - 2.0 GHz

VSWR (Max.):

1.15:1

1.40:1

Impedance:

50 Ω

Mechanical Specifications

Contact:

Beryllium Copper, Gold plated.

Connector:

Brass, Nickel plated.

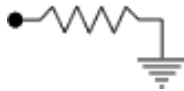
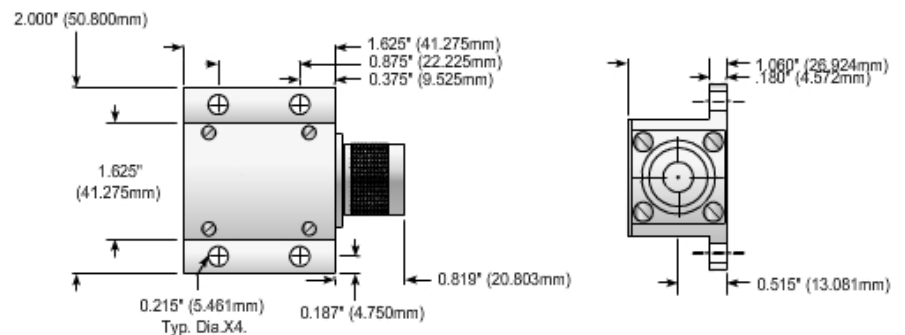
Housing:

Copper, Nickel plated.

Insulator:

PTFE, Virgin grade

Part Dimensions



The CHT Series high power coaxial terminations are conduction cooled loads. They are designed to be mounted on a heat sink ground plane or a chill plate. The power ratings require that the base plate of the CHT-15-2 does not exceed 100°C or 85°C for all other sizes.

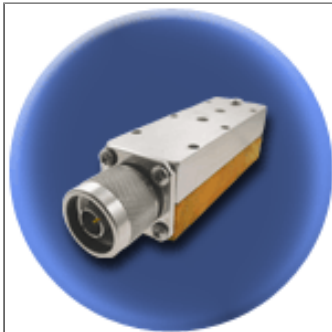


2445 Success Drive Odessa, FL 33556
727-376-6655 or 800-246-4084

Component General, Inc.

P/N:CHT - 200 NM

Coaxial Terminations



Electrical Specifications

Power :

200 W on Adequate
Heat Sink.

Frequency Range:

DC - 1.0 GHz

VSWR (Max.):

1.08:1

Impedance:

50 Ω

Mechanical Specifications

Cover:

Aluminum, Clear iridited .

Connector:

Brass, Nickel plated.

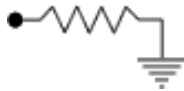
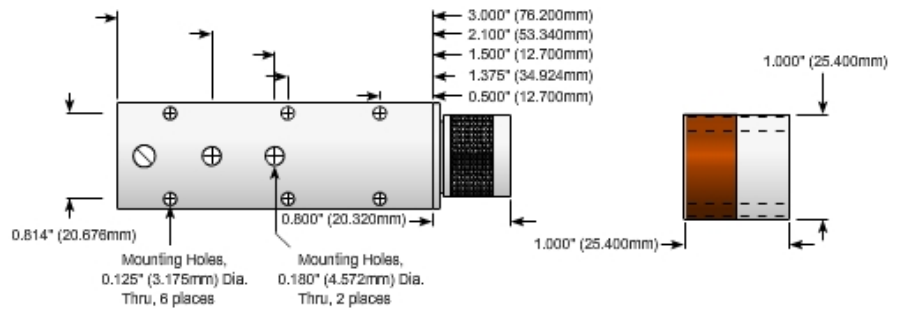
Housing:

Copper, Bare .

Insulator:

PTFE, Virgin grade.

Part Dimensions



Note: Mounting hole spacing can be altered to meet your needs.

The CHT Series high power coaxial terminations are conduction cooled loads. They are designed to be mounted on a heat sink ground plane or a chill plate. The power ratings require that the base plate of the CHT-15-2 does not exceed 100°C or 85°C for all other sizes.

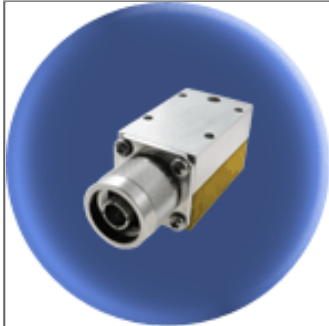


2445 Success Drive Odessa, FL 33556
727-376-6655 or 800-246-4084

Component General, Inc.

P/N:CHT - 200-1 NM

Coaxial Terminations



Electrical Specifications

Power:

200 W on Adequate
Heat Sink.

Frequency Range:

DC - 1.0 GHz

VSWR (Max.):

1.08:1

Impedance:

50 Ω

Mechanical Specifications

Cover:

Aluminum, Gold iredited .

Connector:

Brass, Nickel plated.

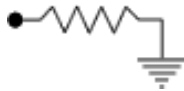
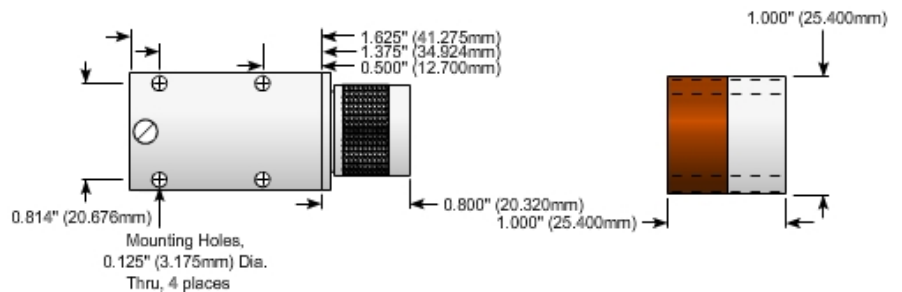
Housing:

Copper, Bare .

Insulator:

PTFE, Virgin grade.

Part Dimensions



Note: Mounting hole spacing can be altered to meet your needs.

The CHT Series high power coaxial terminations are conduction cooled loads. They are designed to be mounted on a heat sink ground plane or a chill plate. The power ratings require that the base plate of the CHT-15-2 does not exceed 100°C or 85°C for all other sizes.



2445 Success Drive Odessa, FL 33556
727-376-6655 or 800-246-4084

Component General, Inc.

P/N:CHT - 250 NM

Coaxial Terminations



Electrical Specifications

| | Frequency Range: | VSWR (Max.): |
|-------------------|------------------|--------------|
| Power: | DC - 200 MHz | 1.15:1 |
| 150 W. | 200 - 400 MHz | 1.25:1 |
| | 400 - 800 MHz | 1.30:1 |
| Impedance: | | |
| 50 Ω | | |

Mechanical Specifications

Contact:

Beryllium Copper, Gold plated.

Connector:

Brass, Nickel plated.

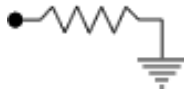
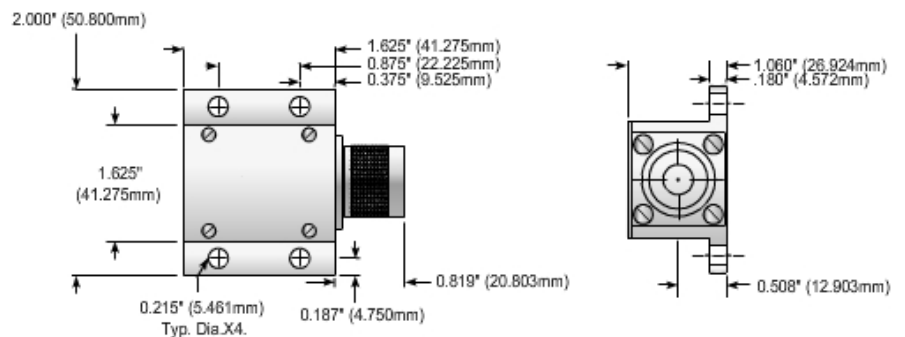
Housing:

Copper, Nickel plated.

Insulator:

PTFE, Virgin grade.

Part Dimensions



The CHT Series high power coaxial terminations are conduction cooled loads. They are designed to be mounted on a heat sink ground plane or a chill plate. The power ratings require that the base plate of the CHT-15-2 does not exceed 100°C or 85°C for all other sizes.



2445 Success Drive Odessa, FL 33556
727-376-6655 or 800-246-4084

Component General, Inc.

P/N:CHT - 250-1 NM

Coaxial Terminations



Electrical Specifications

Power:

250 W on Adequate
Heat Sink.

Frequency Range:

DC - 1.0 GHz

VSWR (Max.):

1.10:1

Impedance:

50 Ω

Mechanical Specifications

Cover:

Copper, Nickel Plated.

Connector:

Brass, Nickel plated.

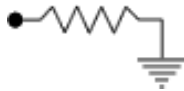
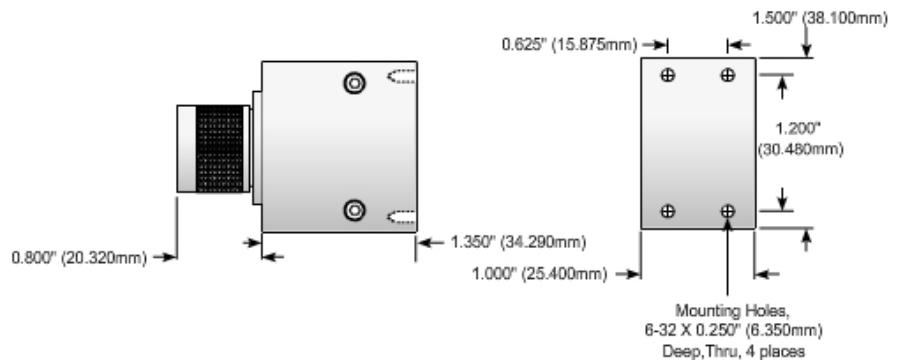
Housing:

Copper, Nickel Plated.

Insulator:

PTFE, Virgin grade.

Part Dimensions



Note: Mounting hole spacing can be altered to meet your needs.

The CHT Series high power coaxial terminations are conduction cooled loads. They are designed to be mounted on a heat sink ground plane or a chill plate. The power ratings require that the base plate of the CHT-15-2 does not exceed 100°C or 85°C for all other sizes.

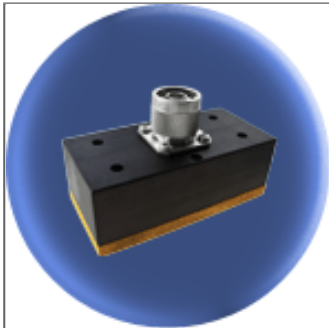


2445 Success Drive Odessa, FL 33556
727-376-6655 or 800-246-4084

Component General, Inc.

P/N: CHT - 300 NM

Coaxial Terminations



Electrical Specifications

Power:

250 W on Adequate Heat Sink.

Frequency Range:

DC - 1.0 GHz

VSWR (Max.):

1.10:1

Return Loss:

-26 dB (Standard)

Impedance:

50 Ω

Mechanical Specifications

Cover:

Aluminum, Black Anodized .

Connector:

Brass, Nickel plated.

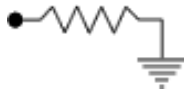
Housing:

Copper, Bare .

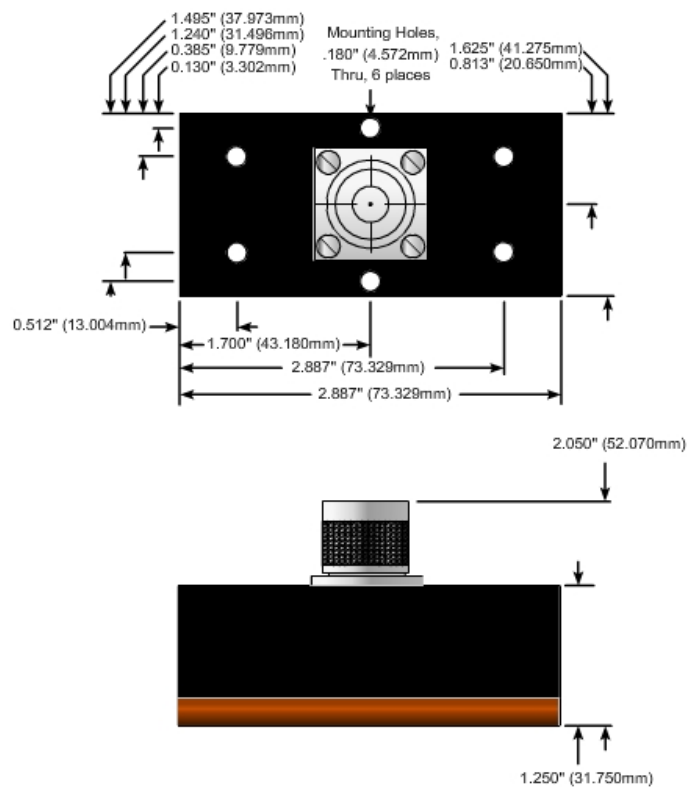
Insulator:

PTFE, Virgin grade.

Note: Mounting hole spacing can be altered to meet your needs.



Part Dimensions



The CHT Series high power coaxial terminations are conduction cooled loads. They are designed to be mounted on a heat sink ground plane or a chill plate. The power ratings require that the base plate of the CHT-15-2 does not exceed 100°C or 85°C for all other sizes.

